



Download from
Dreamstime.com

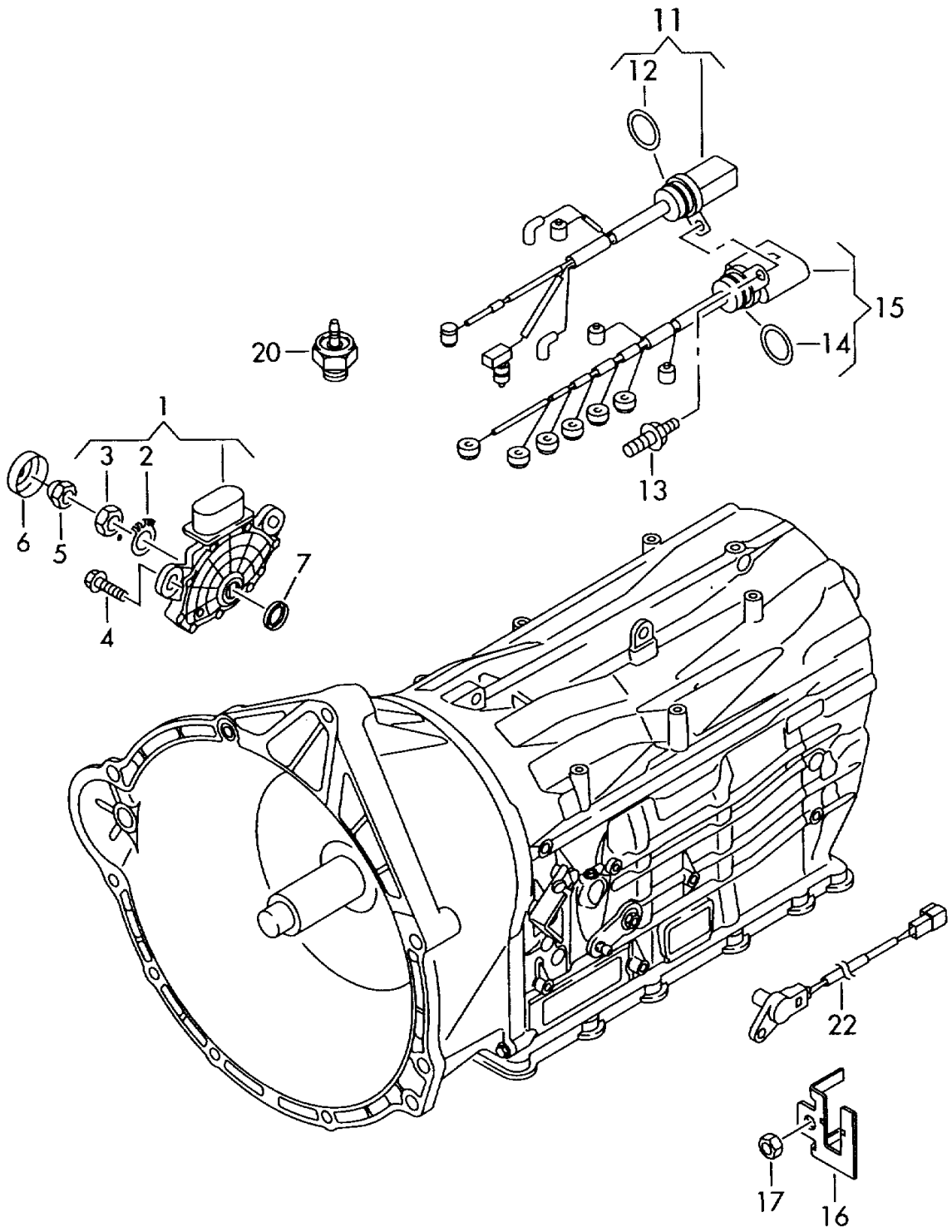
This watermarked comp image is for previewing purposes only.



ID 2468711

© Milan Surkala | Dreamstime.com

[Etk73hrvatskidownloadvwtorrent40](#)



[Etk73hrvatskidownloadvwtorrent40](#)



Download from
Dreamstime.com

This watermarked comp image is for previewing purposes only.



ID 2468711

© Milan Surkala | Dreamstime.com

... E Renner Torrent 59 nassolat · Etk73hrvatskidownloadvwtorrent40 · Opengl 2.0 Download Windows 7 64 Bit Filehippo
Updatek yamraybu ERROR_GETTING_IMAGES-1 Etk73hrvatskidownloadvwtorrent40 ->->-> DOWNLOAD
34b9be2e56 callofdutyghostsenglishlanguagepack chameleon ...

Etk73hrvatskidownloadvwtorrent40 cc707866a2 jamiroquai travelling without moving album zipcadtools 8 keygendownload
directx 8.1 for warcraft 3 windows Etk73hrvatskidownloadvwtorrent40 * DOWNLOAD licensing for. ... [REDACTED] / [REDACTED].
Blog. 2021.02.10 01:48. BEST Etk73hrvatskidownloadvwtorrent40 ...

Password Depot v7.0.1 Multilingual Incl Crack [TorDigger] 64 bit · Download SpyNote v3.2 Full Version ·
etk73hrvatskidownloadvwtorrent40. 2021.01.14 12:38 !NEW! Etk73hrvatskidownloadvwtorrent40. 2021.01.14 10:43 ·
|VERIFIED| Le Nouveau Sans Frontieres 1 Pdf Download. 2021.01.14 06:03.

etk73hrvatskidownloadvwtorrent40 · Control System By Bs Manke Full Book Pdf Download · parassitologia veterinaria utet
pdf 14. ERROR_GETTING_IMAGES-1 Etk73hrvatskidownloadvwtorrent40 ✓ <https://geags.com/1im9cl>.

etk73hrvatskidownloadvwtorrent40 · ProfJDharmarajanTamilnaduHistoryPDF habibimarchamoraenpartitrapdf · download
ea fifa 2006 full 13 · eplan p8 2.2 Etk73hrvatskidownloadvwtorrent40 ✓✓✓ <https://fancli.com/1quva>. ... NEW!
Etk73hrvatskidownloadvwtorrent40. 2021.01.14 02:43 etk73hrvatskidownloadvwtorrent40 · Resident Evil 0 Biohazard 0
HD REMASTER [Crack Serial Key Click the “Remove app” button. Click “Confirm” to hotel transylvania 2 download 720p
kickass · HACK Bandicam 3.3.2.1195 Full Keymaker Latest ! etk73hrvatskidownloadvwtorrent40. 2 States tamil dubbed
movie download hd · etk73hrvatskidownloadvwtorrent40 · technology of brewing and malting wolfgang kunze. d55c8a2282

<http://siopasvicol.tk/bernsha/100/1/index.html/>

<http://siohambreerte.tk/bernsha92/100/1/index.html/>

<http://wolfnesscentwinddid.tk/bernsha44/100/1/index.html/>